

Spring 2021

Verify in Field

Zohar Propp-Hurwitz
Bard College, zp7118@bard.edu

Follow this and additional works at: https://digitalcommons.bard.edu/senproj_s2021



Part of the [Architectural History and Criticism Commons](#), [Metal and Jewelry Arts Commons](#), and the [Sculpture Commons](#)



This work is licensed under a [Creative Commons Attribution-Noncommercial-No Derivative Works 4.0 License](#).

Recommended Citation

Propp-Hurwitz, Zohar, "Verify in Field" (2021). *Senior Projects Spring 2021*. 281.
https://digitalcommons.bard.edu/senproj_s2021/281

This Open Access is brought to you for free and open access by the Bard Undergraduate Senior Projects at Bard Digital Commons. It has been accepted for inclusion in Senior Projects Spring 2021 by an authorized administrator of Bard Digital Commons. For more information, please contact digitalcommons@bard.edu.

Verify In Field

Senior Project Submitted to
The Division of The Arts of Bard College

by
Zohar Propp-Hurwitz

Annandale-on-Hudson, New York

May 2021

Verify in field (VIF) often appears on construction plans to indicate that the contractor should confirm the dimensions before proceeding with construction. The term is an indication that often reality does not perfectly match plans. It also means “figure it out when you get there.” This matches my approach to making art. I may start with one idea, but in the process of creation it grows and changes. My ideas come from the making the thing—as much from my hands as from my brain. All work reflects the way in which it was made, but I emphasize. The more a viewer looks, the more they understand.

4

3

2

1

D

D

C

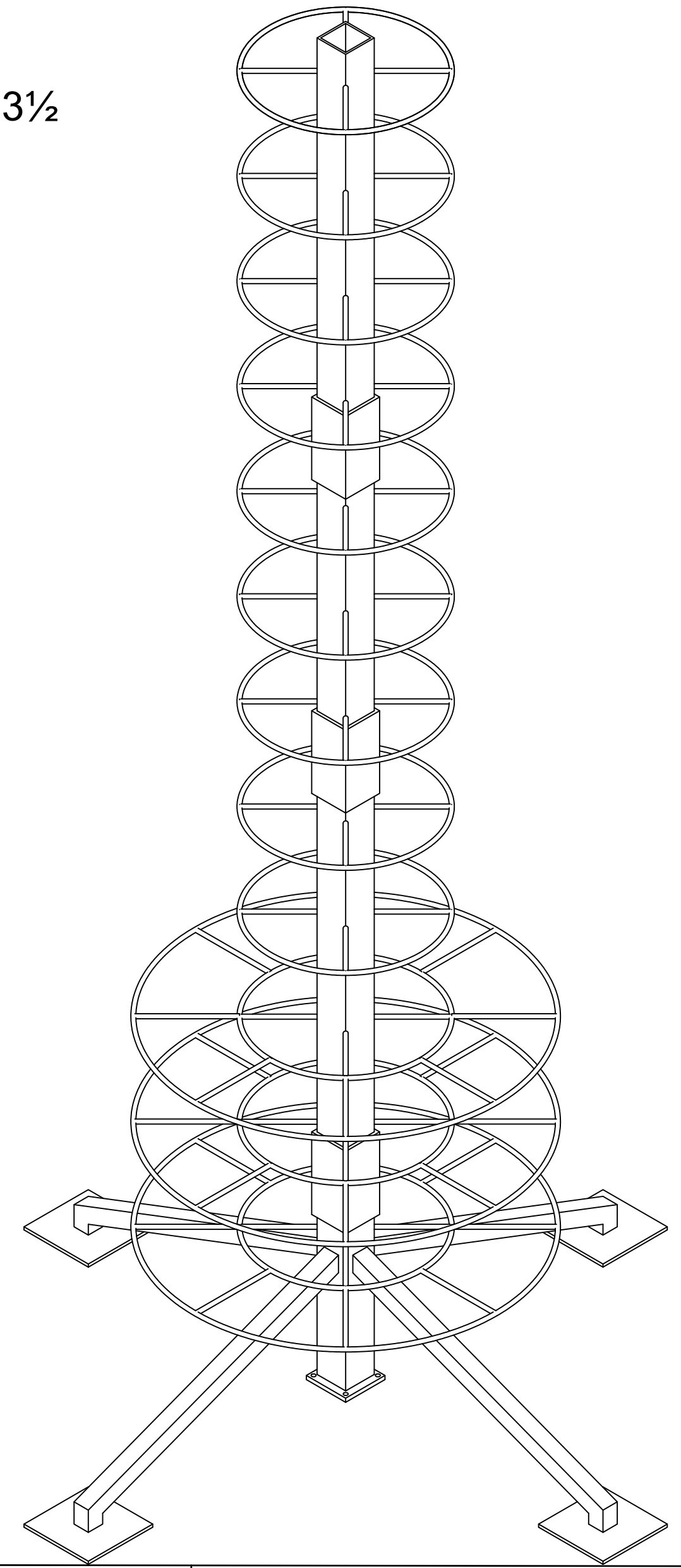
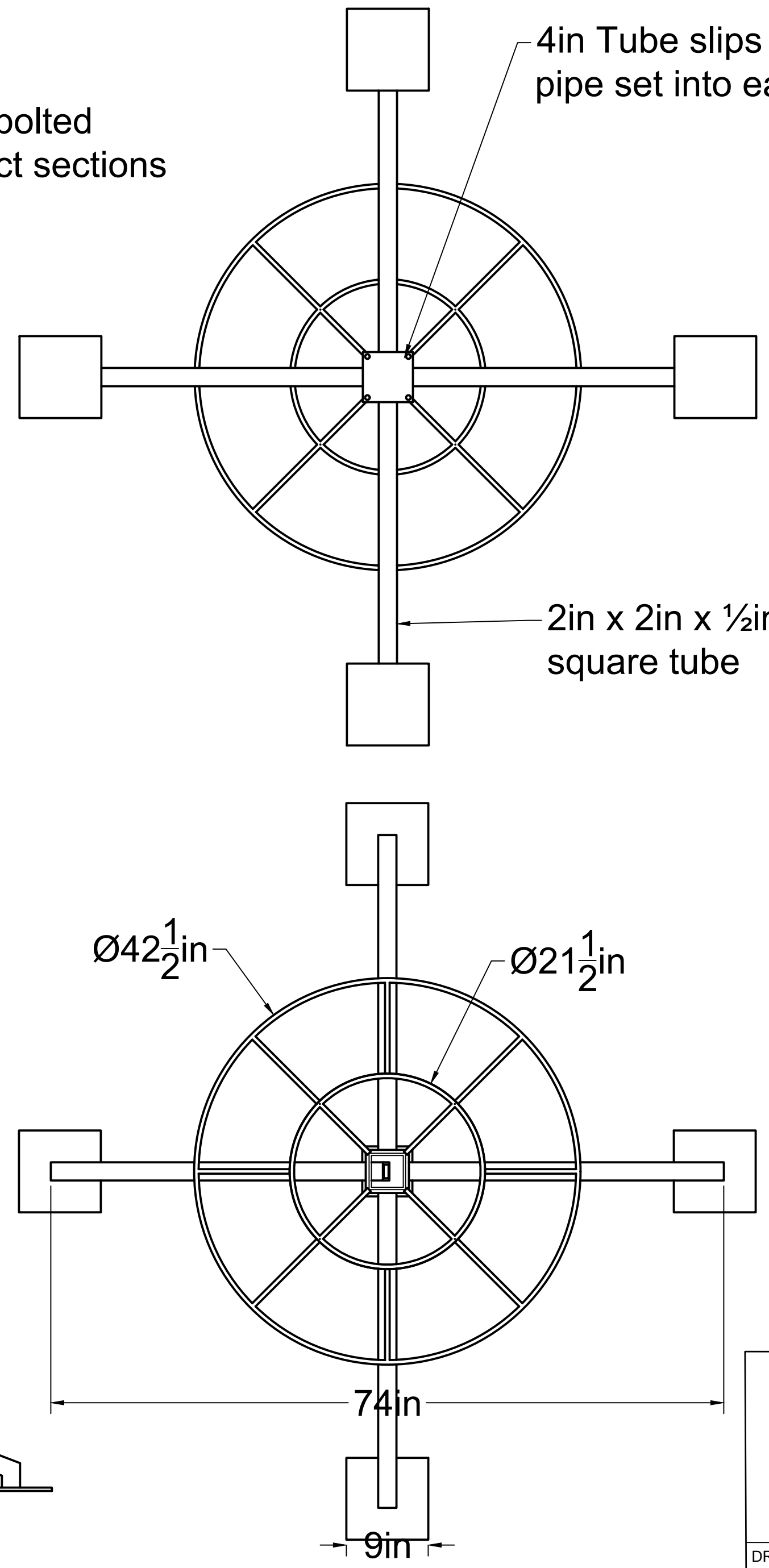
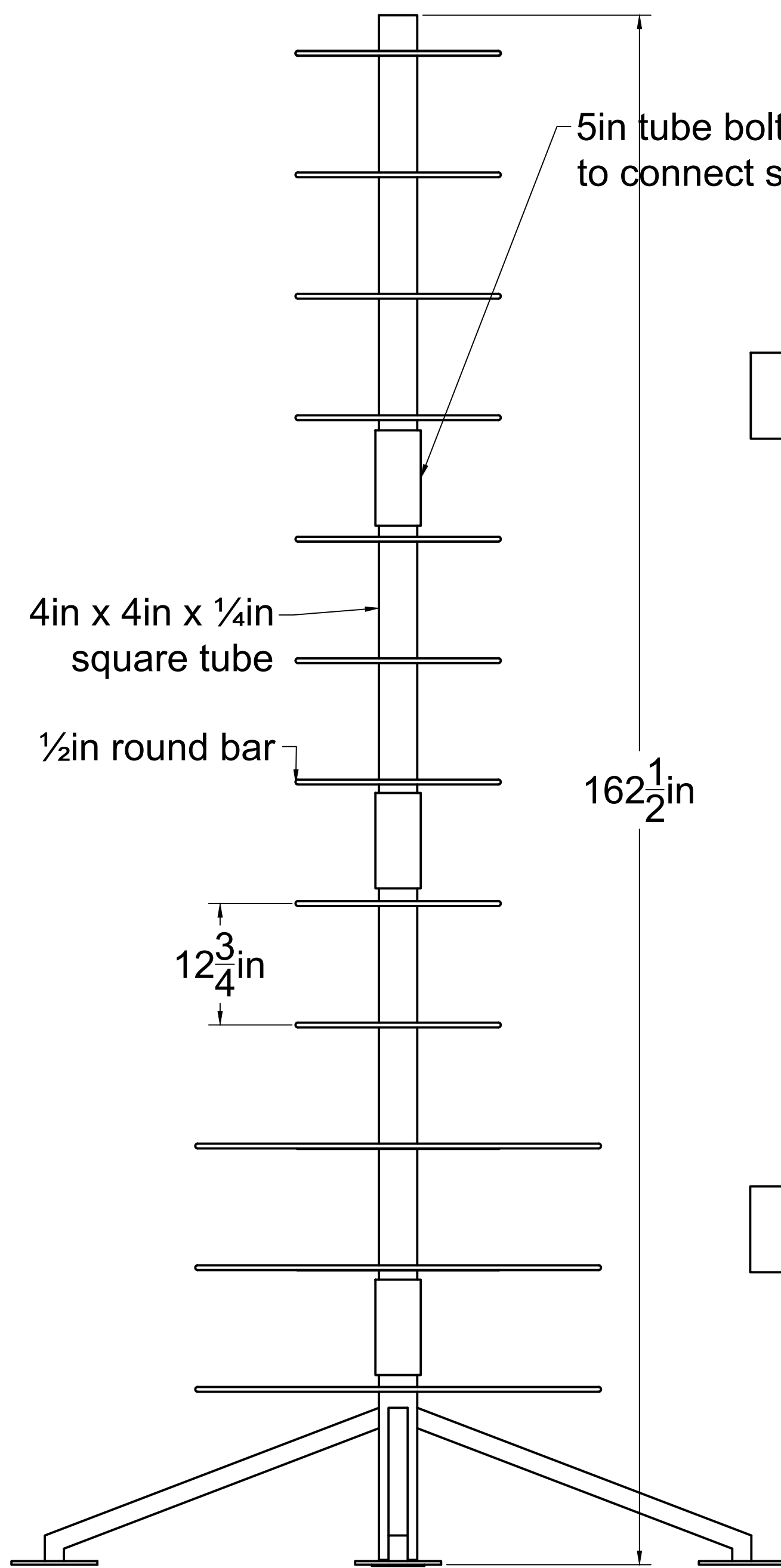
C

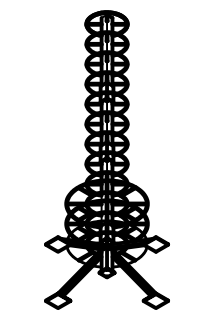
B

B

A

A



	<h3>Sproj Tower</h3> <p>Temporary construction in Bartlett Field</p>			REV
	DRAWN Zohar Propp-Hurwitz	SCALE 1:12	Date 4/11/21	SHEET 1/2

4

3

2

1

